

# *Vision of the future* **OPTRONITALIA**

*Unattended mobile systems*

*Vehicular systems*

*Infrared cameras*

*M.P.S..*

**OPTRONITALIA**

GROSSETO Via Birmania n. 109 ITALIA Tel.+39 0564 451290  
Fax.+39 0564 469023 [www.optronitalia.it](http://www.optronitalia.it) [info@optronitalia.it](mailto:info@optronitalia.it)



## *M.P.S. KIT FOR ARES SYSTEMS*

**OPTRONITALIA'S M.P.S. kit (Marine Patrol System) is applicable on every types of boats to effect Day and Night supervision and in any environmental condition.**

**The images visualization is displayed on the boat using directly a "rugged Tablet " from which it is possible to activate all various functions of the System: the air-elevation of the telescopic mast which supports the video-cameras, the aiming, the optics' motorization, image stabilization as well as all other applied functions.**

**A dedicated software allows to enjoy all acquired data from the system and to integrate the live video images to the satellite cartography supplying in this way, useful monitoring instrument for all mostly sensible areas.**

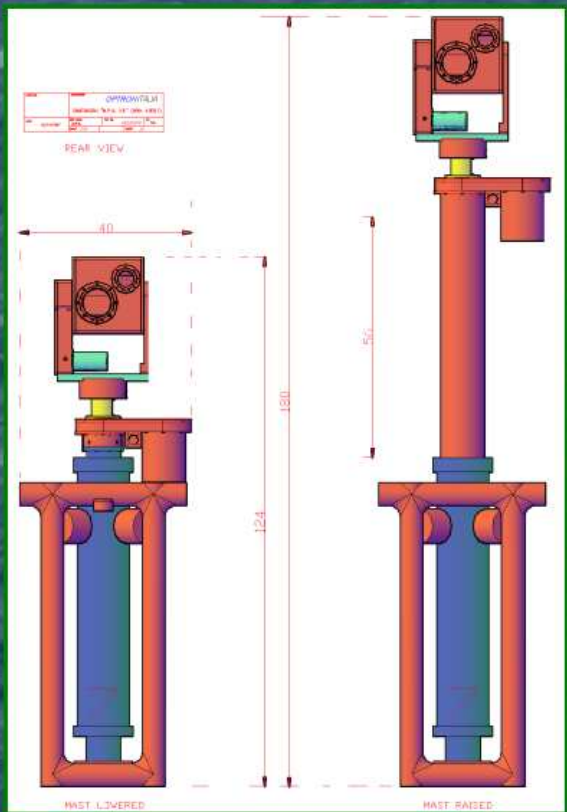
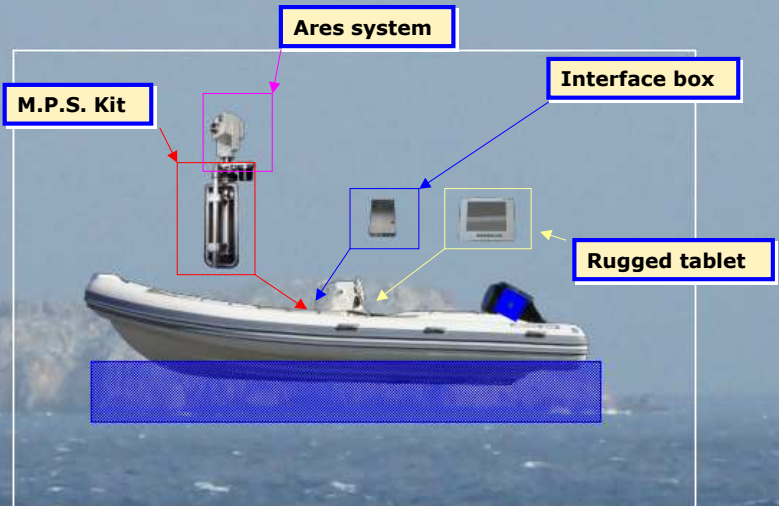


The visualization field of shooting systems corresponds to 360° in horizontal, with continuous turning, no-stopping, and 90° in vertical, which thanks to very precise aiming system allows to frame the desired target with extreme easiness.

The aiming's mechanics is very resistant and reliable, properly designed for heavy uses subjected to strong stresses, thanks to well equipped air shock-absorbing system, can support the considerable vibrations induced by boat movements .

One GPS system integrated with an electronic compass supply all necessary data to the positioning of the area being framed by the M.P.S. system, on the electronic cartography of the onboard laptop.

The M.P.S. kit has very easy integrability to the UGS Deimos A-B mobile surveillance systems, through an interface wireless bridge, by creating a marine and territorial supervision area network, with efficient and exclusive video-data exchange.



### M.P.S. kit

#### GENERAL

<b>SIZE:</b>	Storage 60/124/46 cm. Operating 60/180/46 cm.
<b>WEIGHT:</b>	58,0 Kg (with ares1)
<b>STRUCTURE:</b>	Alum./steel/Carbon
<b>MAST:</b>	Pneumatic, telescopic + 3 bar
<b>ELEVATION SPEED:</b>	10 sec.
<b>MOTORS:</b>	Air pump
<b>POWER:</b>	12 V. 6 Ah.

#### THERMAL AND COLOR CAMERA SYSTEMS

<b>ARES 1:</b>	Short range 7,5-13,5 μm 384X288 pixels
<b>ARES 2:</b>	Short range 7,5-13,5 μm 640X480 pixels
<b>ARES 3:</b>	Medium range 3-5 μm 384X288 pixels
<b>ARES 4:</b>	Long range 3-5 μm 640X480 pixels

#### RUGGED LAP TOP

<b>PROCESSOR:</b>	Intel ULV M 1.0 GHZ
<b>DISK:</b>	40 GB
<b>SCREEN:</b>	8.4"

#### OPTIONALS

- Gyro stabilized
- Modem sat
- GPS module

## M.P.S. TARGET DETECTION (WITH ARES SYSTEMS)

